

by Joshua Woodsman
www.pinuphouses

 **Pin-Up
Houses**
plans



Ann



Bettie



Carroll



Virginia



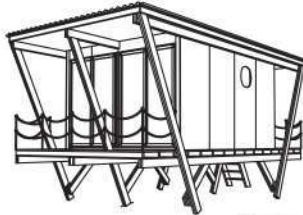
Marion



Sally



Marilyn



Susan



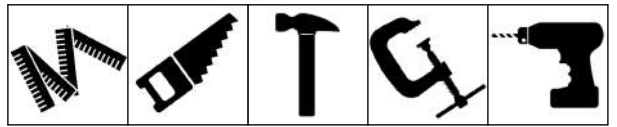
Marlene

CABIN

PLANS

9 Easy-to-Follow Small Wooden Houses Designs

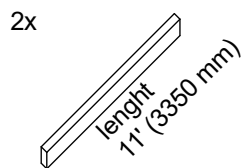




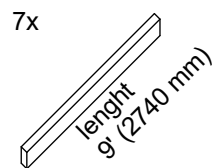
RIGHT WALL

Distribute the lower plates. In the next step, the vertical studs will be attached to them
Place the studs. Place the plates and also some temporary bracing in case it's necessary. Level the structure using the level tool.

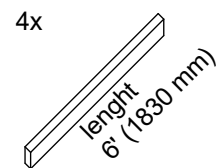
Material list:



profile
2" x 4"
51 x 102 mm



profile
2" x 4"
51 x 102 mm

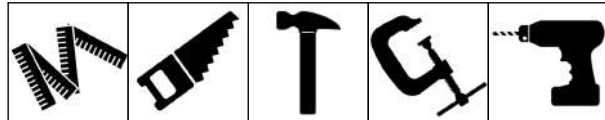


profile
2" x 4"
51 x 102 mm

RIGHT WALL

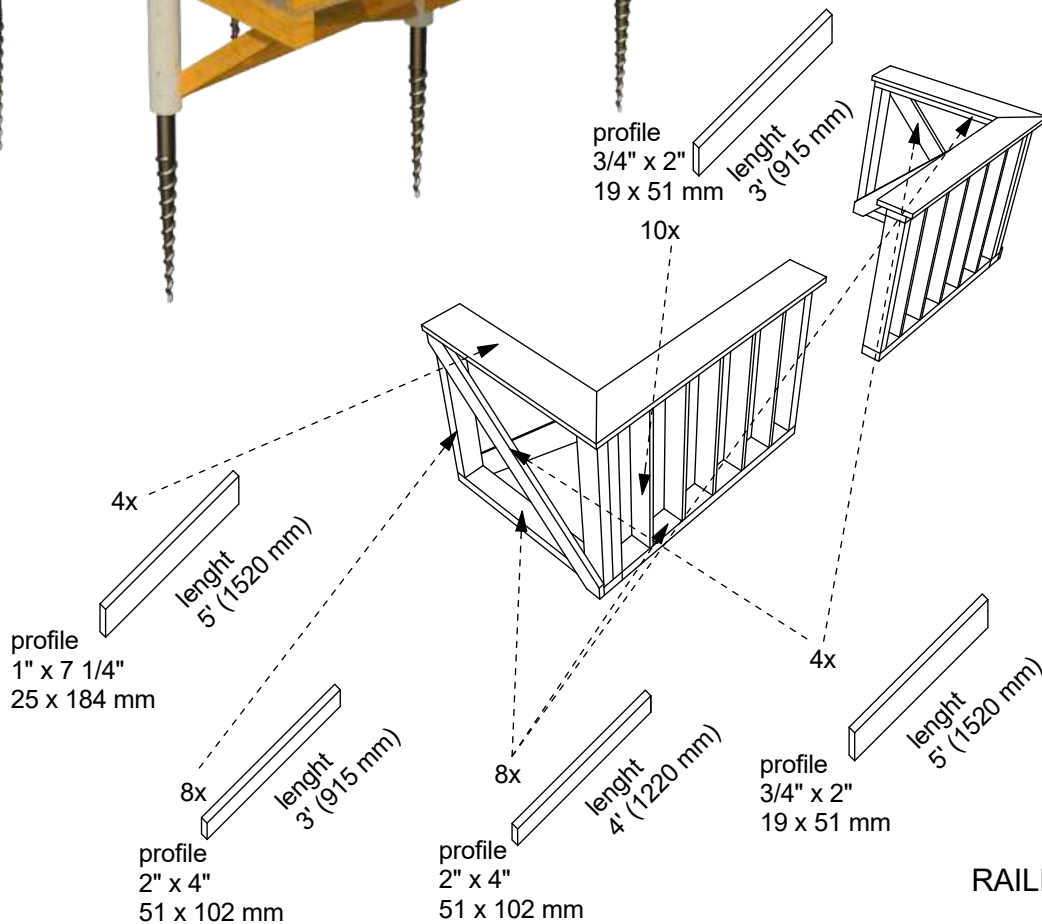
VIRGINIA

It is necessary to measure the exact dimensions of all the structural elements directly at the construction site!



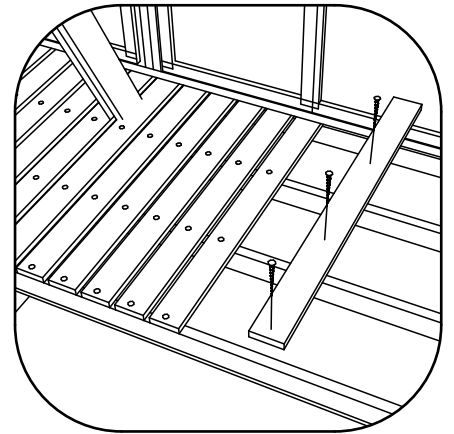
RAILING
Place the railing.

Material list:



RAILING
VIRGINIA

It is necessary to measure the exact dimensions of all the structural elements directly at the construction site!

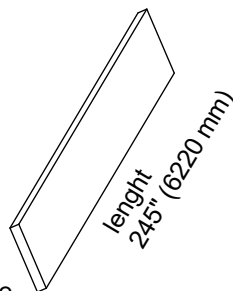


DECKING

Place the floor decking. For porch you need to use floor battens with gaps of approximately 1/2" / 12 mm to allow water drain. This also prevents the battens from degradation and decaying at places of contact. For the interior floor, which will not be directly exposed to the rain, you can use floorboards with tongue and groove connections.

Material list:

32 X



profile
1" x 4-1/2"
25 x 114 mm

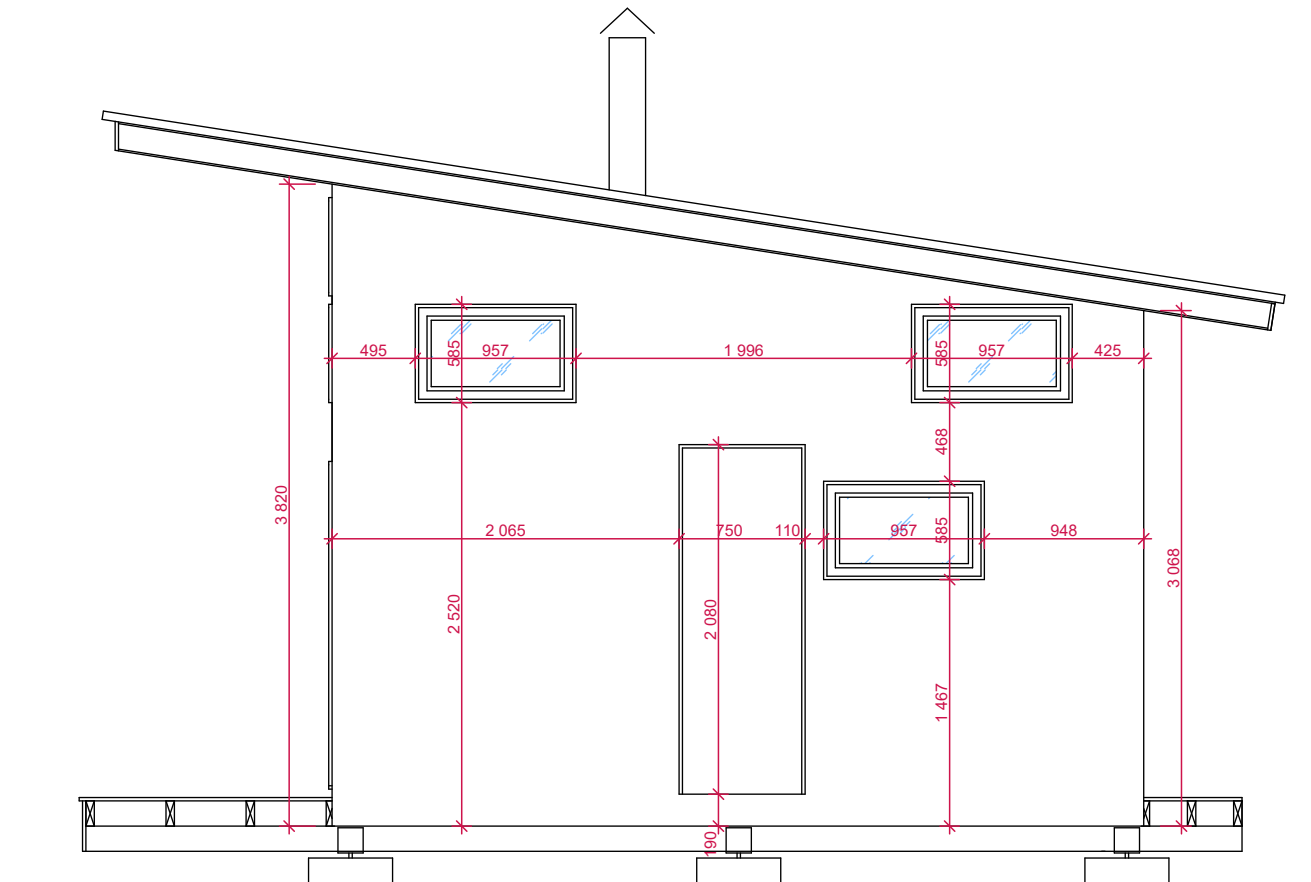
DECKING

SUSAN

Joshua Woodsman
www.pinuphouses.com

It is necessary to measure the exact dimensions of all the structural elements directly at the construction site!

Elevation D in metric measurements



ELEVATION D
1:45

MARLENE

Joshua Woodsman
www.pinuphouses.com

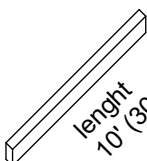


RAFTERS
Place the rafters.

Material list:

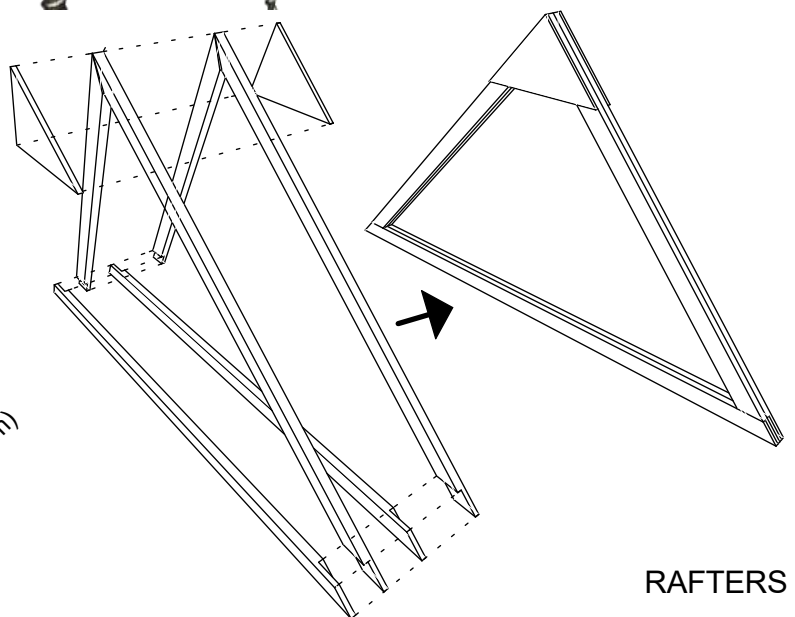
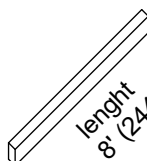
12x

profile
1-1/2" x 3-1/2"
38 x 89 mm



24x

profile
1-1/2" x 3-1/2"
38 x 89 mm

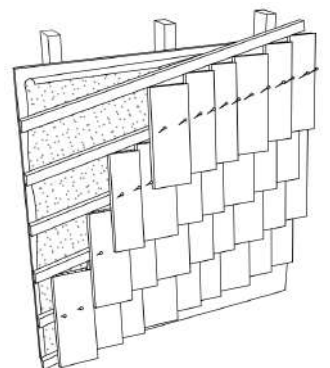
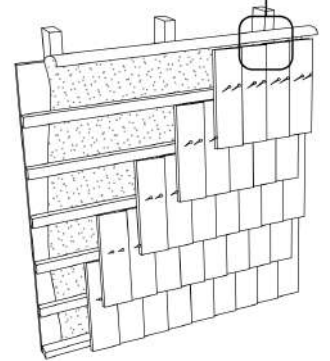
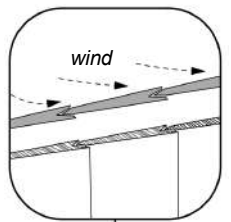


RAFTERS I

It is necessary to measure the exact dimensions of all the structural elements directly at the construction site!

MARILYN

Joshua Woodsman
www.pinuphouses.com



WOOD SHINGLES

Wood shingles siding guide: http://inspectapedia.com/BestPractices/Wood_Shingle_Install.htm

Material list:

200 ft² (19 m²) wood shingles



ROOF

ANN

It is necessary to measure the exact dimensions of all the structural elements directly at the construction site!